



i3BOARD 8703 T06



Compared to traditional whiteboards, the i3BOARD includes several unique features. Other than stylus and finger touch recognition, the precise and reliable V-Sense touch technology design allows multi-user interaction with 6 simultaneous touches.

The ultra-narrow aluminium frame gives the i3BOARD a sleek appearance and makes maintenance easy, lowering the long term total cost of ownership.

MAIN FEATURES

- 87 inch
- 6-touch
- Touch recognition: Finger, stylus or any other pen or finger shaped object
- Lifetime warranty on ceramic steel surface
- Compatible with dry erase whiteboard markers
- Ultrathin 24mm frame
- Easy maintenance
- High response speed
- Standard wall-mount included
- Platform independent, a perfect match for any education software
- Dust resistant V-Sense touch technology



**EXTENDED WARRANTY
EDUCATION EXCLUSIVE**
Up to 5 years. Only valid after registration
on www.i3-learning.com

SPECIFICATIONS

	Model name	i3BOARD 8703 T6
	Size	87"
	Display Aspect Ratio	16:10
Physical Specifications	Dimensions i3BOARD	122,2H * 193W * 3,5D cm (48,11*75,98*1,38")
	Dimensions active area	117,2H * 188W cm (46,14*74,02")
	Writing surface	White Enameled steel - anti reflection
	Touch technology	V-Sense Multi
	Touch operation	Any opaque object, including finger, stylus...
	Touch point	6 touch (only Windows7 Home Premium, Windows7 Ultimate, or later - Operating system that do not support initial multi-touch: Windows7 Home, Vista, Windows XP, Window 2003)
	Resolution	32767x32767
	Bezel Color	Black
	Power supply	USB
	Install method	Wall mount included
	Weight net	26,2 kg
	Weight packed	29,10 Kg
	Packaging size	2085mm x 1355mm x 120mm
	Operating temperature	-15~50°C (5~122F)
	Operating humidity	20~90%
	Storage temperature	-40~50°C (-40~122F)
	Storage humidity	10~95%
Power consumption	≤400mA	
Recommended Computer Configuration	CPU	>3,4GHz . X86
	RAM	>4G
	Hard disk	>100G
	Interface	USB2.0 or above
	Screen resolution	1280*800
Accessories	Standard accessories	USB cable, pen, pen tray + optional V-Sense drivers
	Annotation software	i3LEARNHUB Free license - registration on i3learnhub.com
Warranty	Standard	3 years
	after registration	5 years

OPTIONAL ACCESSORIES:



i3HAWM
height adjustable wall mount system



i3SWEEZZ
turn, pull, teach

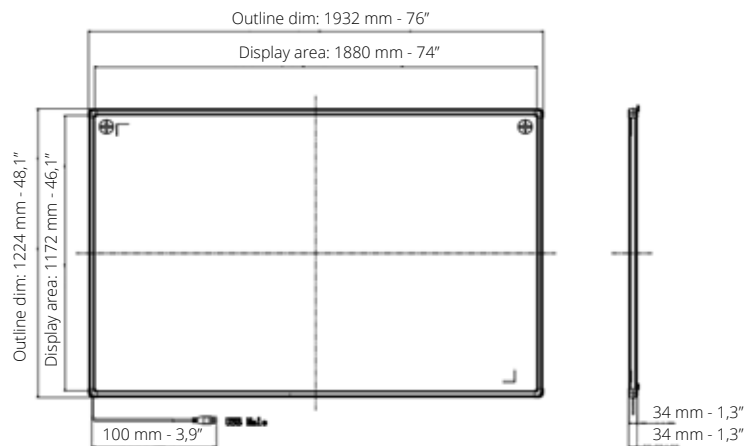


i3COMPUTER
compact 24/7 cpu



i3BOARD Extension (i3WHITEBOARD)
whiteboards for extra writing surface

TECHNICAL DRAWING



AUTHORISED DISTRIBUTOR