



i3BOARD 8703 T10 DUO



Compared to traditional whiteboards, the i3BOARD includes several unique features. Other than stylus and finger touch recognition, the precise and reliable V-Sense touch technology design allows multi-user interaction up to 10 simultaneous touches.

The ultra-narrow aluminium frame gives the i3BOARD a sleek appearance and makes maintenance easy, lowering the long term total cost of ownership.



INTERACTIVE

- Touch recognition: Finger, stylus or any other pen or finger shaped object
- High response speed
- i3Duo Surface: The optimized whiteboard surface with superior projection, writing & dry erasing capabilities

INSPIRING

- Wide screen 87 inch
- Up to 10 touch points
- Ultranarrow 24mm frame
- Platform independent, a perfect match for any education software



INTEGRATED

- Easy maintenance
- Standard wall-mount included
- Dust resistant V-Sense touch technology
- Lifetime warranty on ceramic steel surface



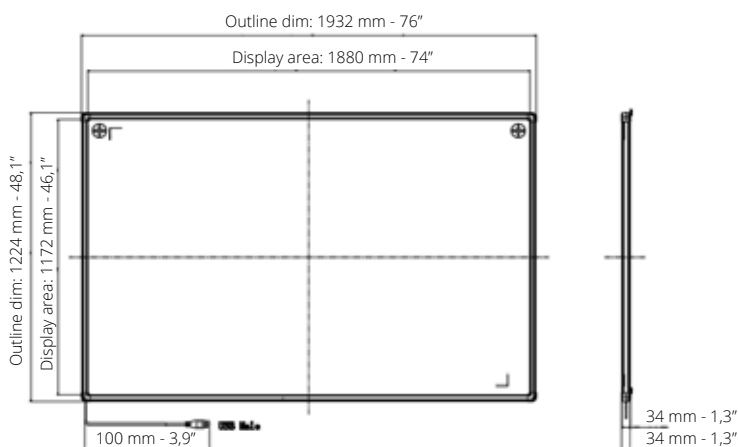
**EXTENDED WARRANTY
EDUCATION EXCLUSIVE**

Up to 5 years. Only valid after registration on www.i3-learning.com

SPECIFICATIONS

	Model name	i3BOARD 8703 T10
	Size	87"
	Display Aspect Ratio	16:10
Physical Specifications	Dimensions i3BOARD	122,2H * 193W * 3,5D cm (48.11*75.98*1.38")
	Dimensions active area	117,2H * 188W cm (46.14*74.02")
	Writing surface	i3 Duo Surface The optimized whiteboard surface with superior projection, writing & dry erasing capabilities. Minimize hotspot, less reflectivity from natural light & minimal ghosting
	Touch technology	V-Sense Multi
	Touch operation	Any opaque object, including finger, stylus...
	Touch points	10 simultaneous touches (only Windows7 Home Premium, Windows7 Ultimate, or later - Operating system that do not support initial multi-touch: Windows7 Home, Vista, Windows XP, Window 2003)
	Resolution	32767x32767
	Bezel Color	Black
	Power supply	USB
	Install method	Wall mount included
	Weight net	26,2 kg
	Weight packed	29,10 Kg
	Packaging size	2085mm x 1355mm x 120mm
	Operating temperature	-15~50°C (5~122F)
	Operating humidity	20~90%
	Storage temperature	-40~50°C (-40~122F)
Storage humidity	10~95%	
Power consumption	≤400mA	
Recommended Computer Configuration	CPU	>3.4GHz . X86
	RAM	>4G
	Hard disk	>100G
	Interface	USB2.0 or above
	Screen resolution	1280*800
	USB power	>4.6V (the power of the USB cable should be more than 4.6V at the i3BOARD)
Accessories	Standard accessories	USB cable, pen, pen tray
	Annotation software	i3LEARNHUB Free license - registration on i3learnhub.com
Warranty	Standard	3 years
	after registration	5 years

TECHNICAL DRAWING



OPTIONAL ACCESSORIES



i3HAWM
height adjustable wall mount system



i3BOARD Extension (i3WHITEBOARD)
whiteboards for extra writing surface



i3SWEZZ
turn, pull, teach



i3COMPUTER
compact 24/7 cpu



i3SPEAKERS
invisible speakers
(only in combination with i3HAWM or i3SWEZZ)

AUTHORISED DISTRIBUTOR